

RE • vine

Moving beyond sustainability





RE • vine

The wine industry is changing, and so is glass packaging. That's why Vaider Group and JRE have launched a manifesto to create lightweight wine bottles. But HRASTNIK1860 went even further—we didn't just make a lighter bottle but a **100% carbon-neutral one**. By combining lightweighting and hybrid melting, we've cut CO₂ emissions by **42%**, proving that sustainability and aesthetics can coexist. At just 490g, it maintains a luxurious feel while reducing environmental impact—a world-first in premium wine glass packaging, shaping a greener future.



SUSTAINABLE EFFORTS HAVE RESULTED IN

RE • vine

Reduction of carbon footprint:

Scope 1 & 2	Bottles	92.432	1.000.000	235.000.000
Hybrid melting	21%	8,7	93,8	2204,1
Offsetting	58%	25,2	272,8	6411,7
Lightweighting	21%	13,1	141,2	3319,1
Total	100%	46,9	507,9	11935,0

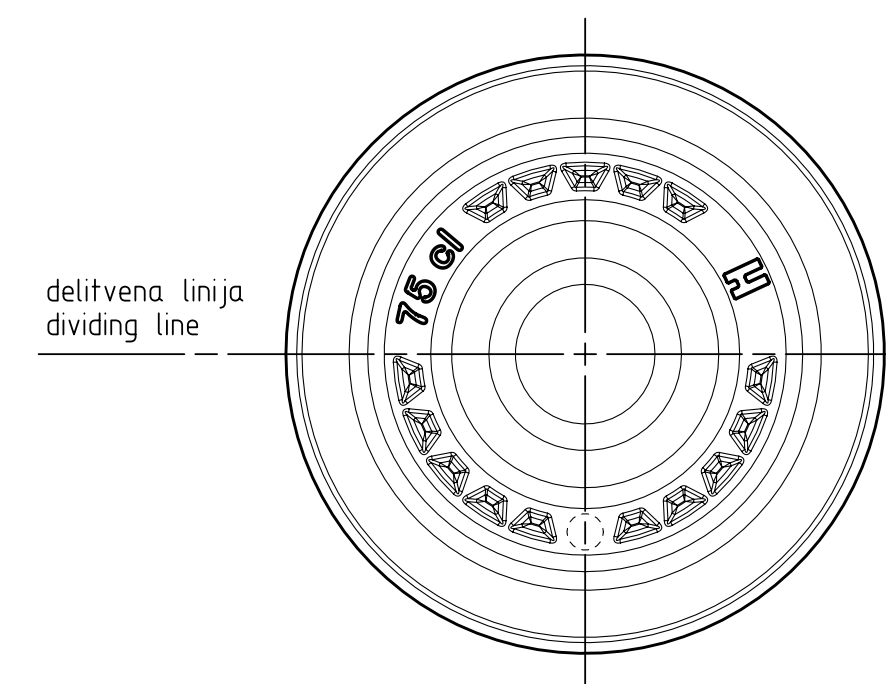
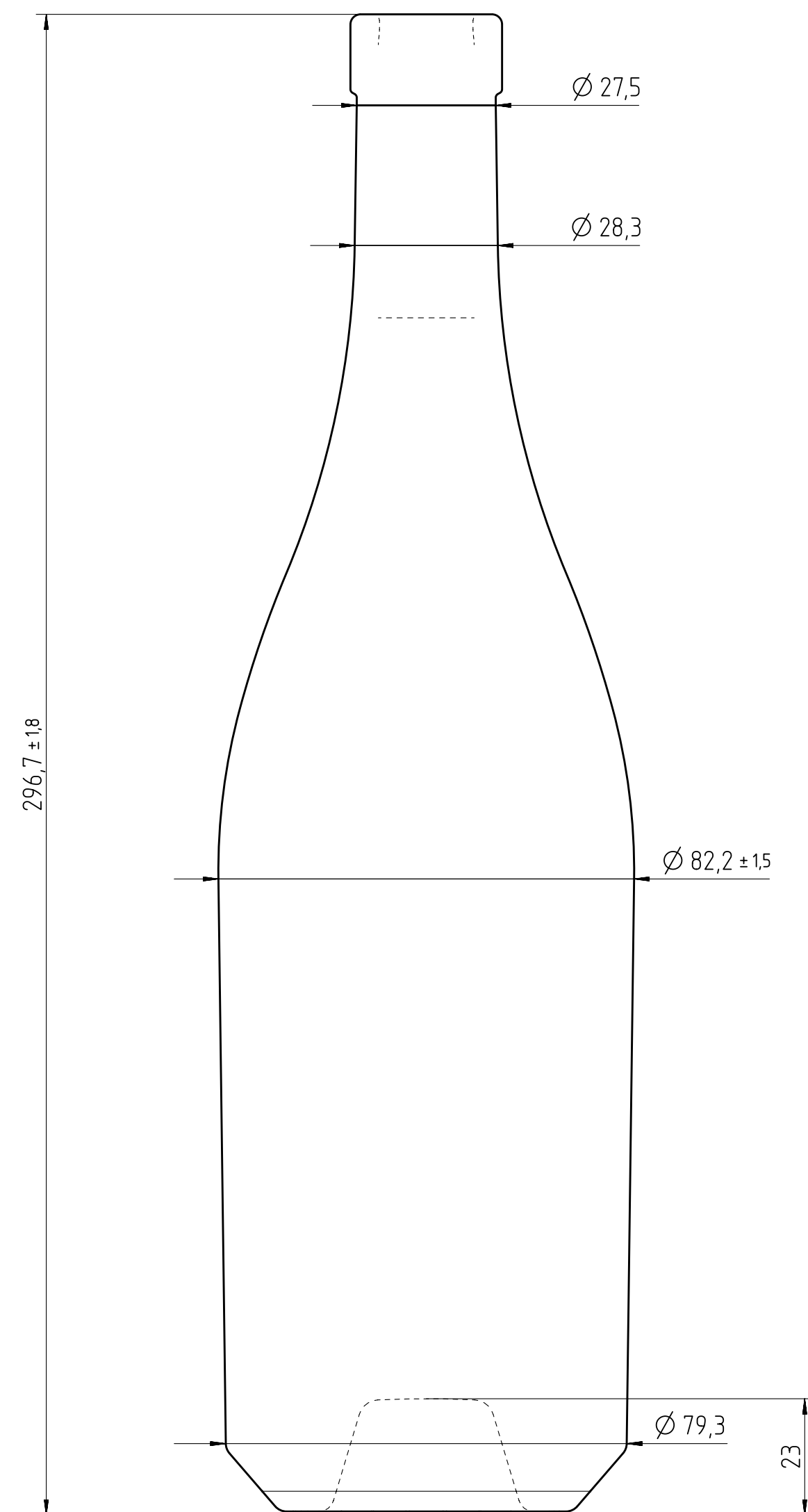


MAIN FEATURES

Volume:	750 ml
Weight:	490 g
Finish:	F16 / GME 50.1
Quality standards:	Premium



TECHNICAL SHEET





RE

RE

Re-Vine

ROSÉ

2024

DECORATION POSSIBILITIES





RE·vine

SAUVIGNON BLANC
2024

HAVEN'T FOUND WHAT
YOU ARE LOOKING FOR?

CHECK OUR FULL RANGE OF COLLECTION BOTTLES



Steklarna Hrastnik d.o.o., Cesta 1. maja 14, 1430 Hrastnik, Slovenia

+386 3 565 46 00

sales@hrastnik1860.com

www.hrastnik1860.com